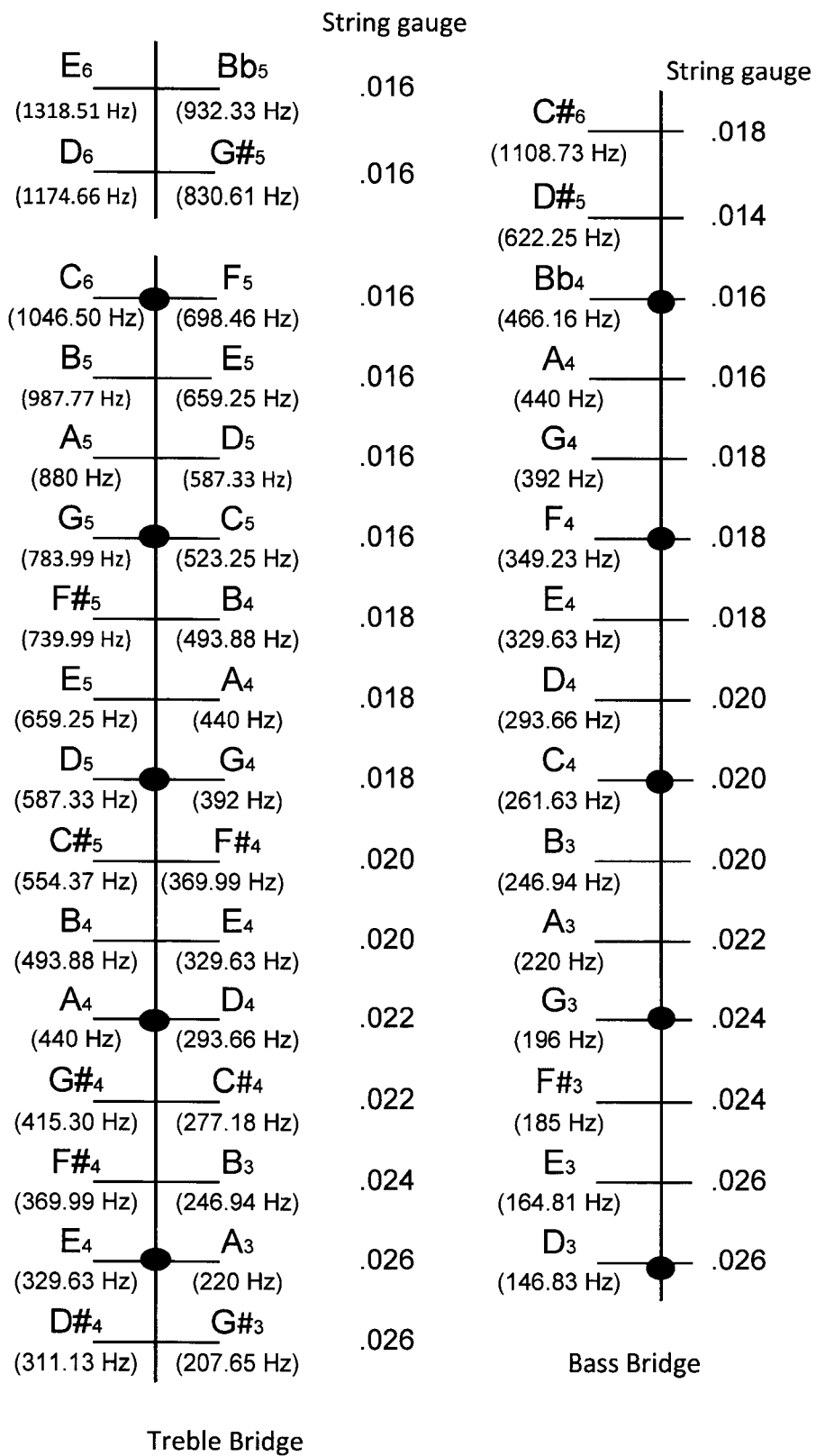


# 16/15 Finch Hammered Dulcimer Tuning Diagram



Marked Courses ●